

RH1&2

POWER AND DATA TRACK

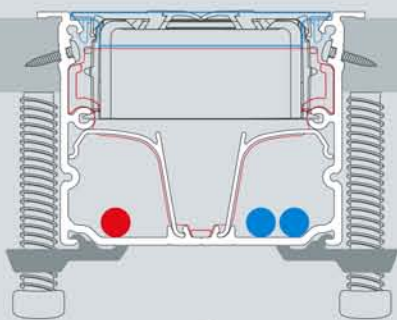


RH1

RECESS POWER AND CABLE
MANAGEMENT TRACK



OVERVIEW



1. DS3 Datacom Socket Housing



2. SFC2 Track +



3. Dividers +



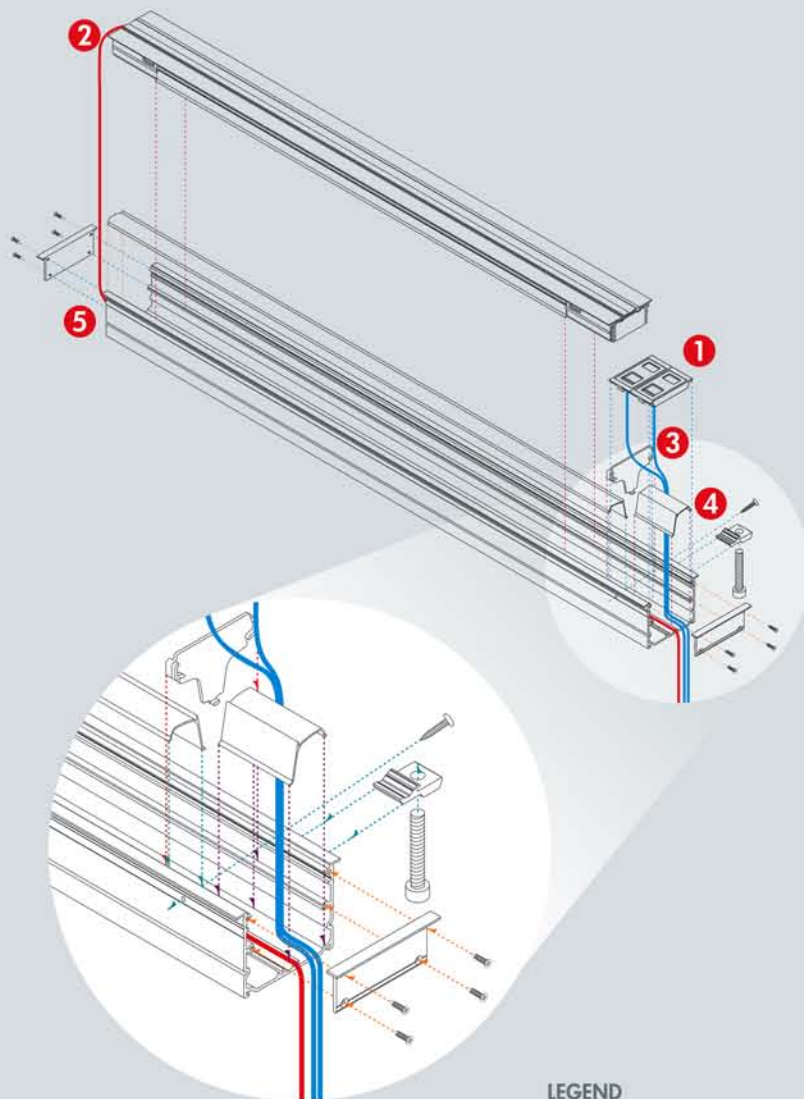
4. Separators +



5. RH1 Housing +



INSTALLATION



LEGEND

Power Cable 
Data Cable 

RH1&2

INTEGRATED POWER AND DATA SOLUTION

Designed with the Modular SFC2 GSS System Power Track, the RH series is the perfect solution for recessed power and data installations. RH series is easy install and reduce installation time and cost.



Recess Mount

AWARDS



FEATURES

RH1 Recess Power and Cable Management Track

- Easy to install (direct fastening with screw or clamp)
- Fasten on wooden table or panel with a minimum thickness of 15mm
- Clamp for glass or marble tops from thickness 5mm to 57mm
- Dedicated EMI shielded data management channels
- Large data compartment for up to 8 data cables (Cat5e or Cat6)
- Full aluminium trim
- Premium finishing

RH2 Recess Power and Data Track

- Light weight compact module
- Easy to install (direct fastening with screw or clamp)
- Fasten on wooden table or panel with a minimum thickness of 15mm
- Clamp for glass or marble tops from thickness 5mm to 33mm
- Direct data cable entry
- Full aluminium trim
- Premium finishing

MULTIMEDIA



Direct feed-through



Quick access



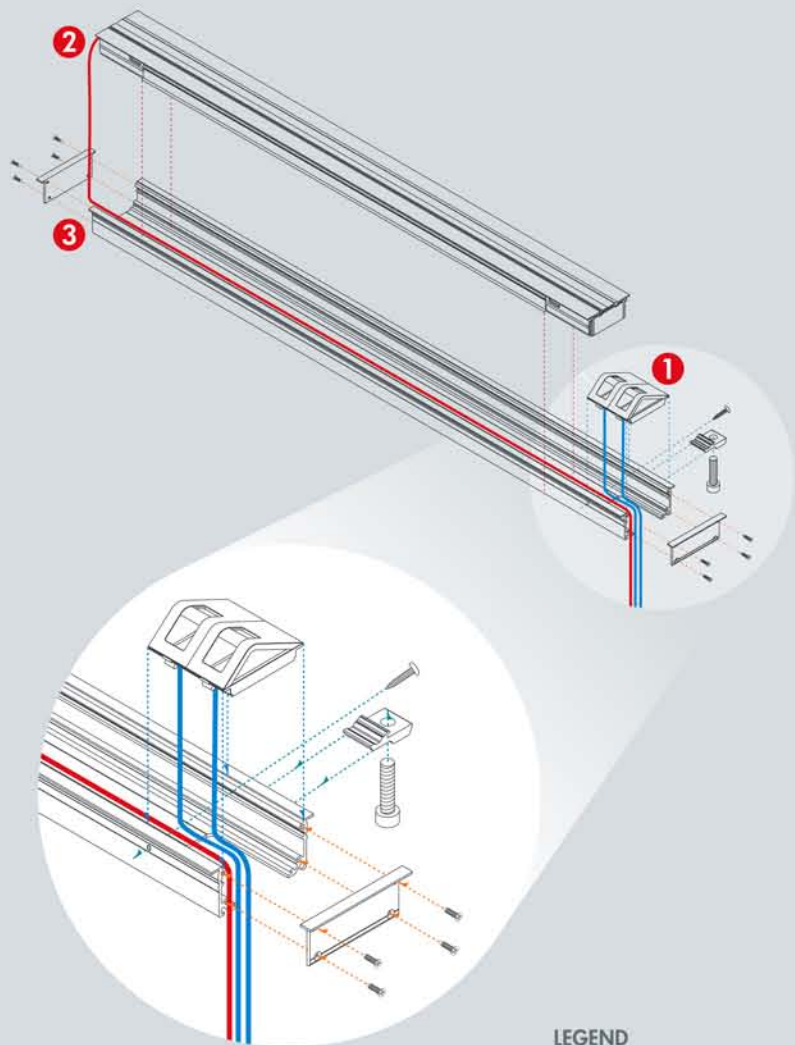
Switches/Circuit Breaker (Optional)



RH2

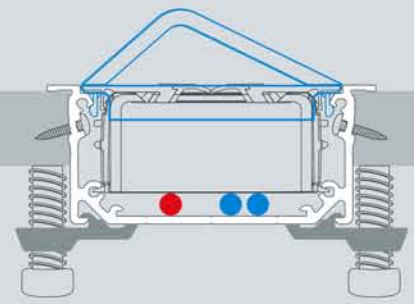
RECESS POWER AND
DATA TRACK

INSTALLATION



LEGEND
 Power Cable —
 Data Cable —

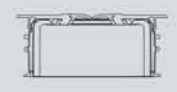
OVERVIEW



1. DS4 Datacom Socket Housing



2. SFC2 Track +



3. RH2 Housing +



SPECIFICATIONS

RH1 TPF90



RH2 TPF95



PRODUCT FEATURES

- Standard Length : **600mm, 800mm, 1000mm, 1200mm, 1600mm, 1800mm**
* Pre-assembled with 2 units of DS3 Datacom Socket Housing
- Standard Finishing : **NSB** Natural Shot Blast
- Customised Length : Maximum length is 3600mm
Please contact local Agent/
Distributor for more information
- Special Finishings : **WSB** White Shot Blast
THL Titanium Hair Line
BHL Black Hair Line
- Customised Length : Maximum length is 2400mm
Please contact local Agent/
Distributor for more information

ELECTRICAL

- Rated Voltage : 250V a.c. Single-phase
- Rated Current : 40Amp maximum
- Frequency : 50Hz / 60Hz

MATERIAL

- Track Material : Aluminium
- Insulation Material : Polycarbonate

SIZE AND WEIGHT

- RH1** Overall Dimension : 80mm x 57mm (Width x Depth)
- Weight (Per meter) : Estimated 2.6 kilograms
- RH2** Overall Dimension : 80mm x 33.8mm (Width x Depth)
- Weight (Per meter) : Estimated 2.2 kilograms

WARRANTY

3 years subject to Eubiq Limited Warranty Statement



Eubiq's products are widely accepted across all sectors of residential, commercial and industrial. We work closely with international test houses for safety compliance and certification. Our products are tested by :





EUBIQ REGIONAL OFFICE:

EUBIQ (AUSTRALIA) PTY LTD

191 Canterbury Road, Canterbury,
VIC 3126, Australia

Tel : +61 3 9830 4555

Fax : +61 3 9830 4566

Email : info@eubiq.com.au

www.eubiq.com.au